

RV EXTERIOR POWER SOCKETS

2022



TABLE OF CONTENT

RV BUILT-IN SOCKETS

PAGE

01 RV built-in gravity water inlet	3
02 RV built-in power inlet	4
03 RV built-in exterior shower kit	5
04 RV built-in exterior shower kit	6
05 RV built-in power outlet	7
06 RV built-in power outlet	8
07 RV gas outlet	9
08 RV EV power charging socket	10
09 RV built-in power outlet	11
10 RV built-in power outlet	12
11 RV built-in city water inlet	13
12 RV multi purpose inlet	14



RV Built-in Gravity Water Inlet

KDAS-Z01

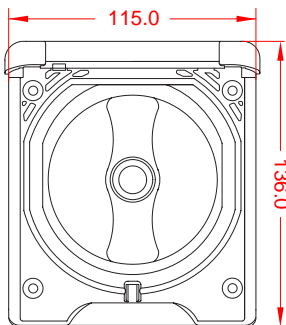
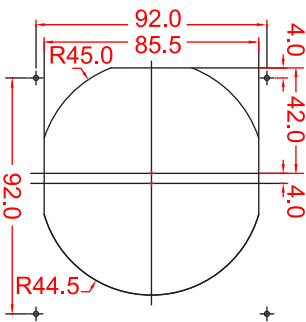
Food Grade

Standard:

- ◆ Housing and water tank lid

Features:

- ◆ High performance engineering plastic housing, with good corrosion resistance and food grade.
 - ◆ Dimensions (W x H x D): 115x136x15mm.
 - ◆ Color: white, black.
 - ◆ Installation aperture: \varnothing 96mm.
 - ◆ Diameter of interior connection 1-1/2 inch.
 - ◆ 4 x ST4.2*25 countersunk head self tapping screws for front installation, screw aperture 4.5mm.
- Sides spacing: 92mm(horizontal), 92mm(vertically), 130mm(diagonal line).





RV Built-in Power Inlet

KDAD-16A

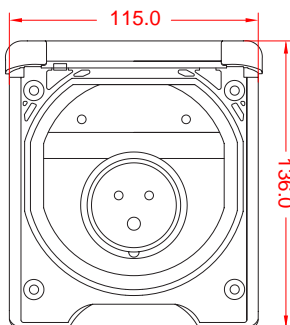
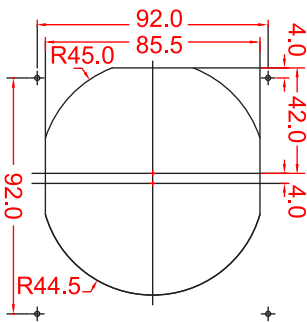
3C/CE certifications

Standard:

- ◆ Housing and plug

Features:

- ◆ High performance engineering plastic housing, with good corrosion resistance.
 - ◆ Applicable to 230V/16A.
 - ◆ Dimensions (W x H x D): 115x136x15mm.
 - ◆ Color: white, black.
 - ◆ Installation aperture: \varnothing 96mm.
 - ◆ Protection class: IP44.
 - ◆ 4 x ST4.2*25 countersunk head self tapping screws for front installation, screw aperture 4.5mm.
- Sides spacing: 92mm (horizontal), 92mm (vertically), 130mm(diagonal line).





RV Built-in Exterior Shower Kit

KDAS-L01

3C/CE certifications



Standard:

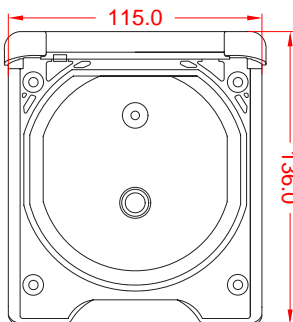
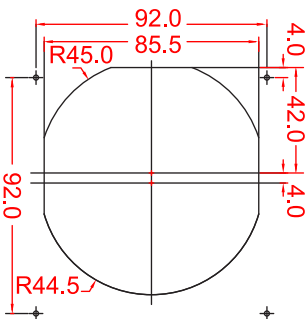
- ◆ Housing and quick connector.
- ◆ Chrome or white color shower head with 1.5 meters hose.

Optional:

- ◆ Quick connect water tap.

Features:

- ◆ High performance engineering plastic housing, with good corrosion resistance and food grade.
 - ◆ Dimensions (W x H x D): 115x136x15mm.
 - ◆ Color: white, black.
 - ◆ Installation aperture: \varnothing 96mm.
 - ◆ Quick connect shower head with 1.5m hose.
 - ◆ Food grade tap as optional, interchangeable with shower kit.
 - ◆ 4 x ST4.2*25 countersunk head self tapping screws for front installation, screw aperture 4.5mm.
- Sides spacing: 92mm (horizontal), 92mm (vertically), 130mm(diagonal line).





RV Built-in Exterior Shower Kit

KDAS-L02

3C/CE certifications

Standard:

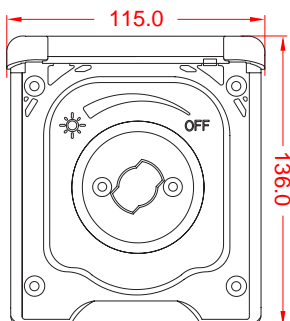
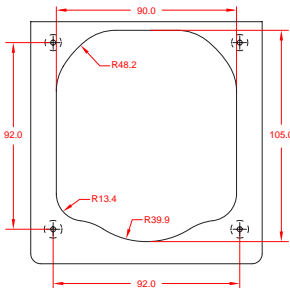
- ◆ Housing and quick connector.
- ◆ Chrome or white color shower head with 1.5 meters hose.



Features:

- ◆ High performance engineering plastic housing, with good corrosion resistance and food grade.
- ◆ Dimensions (W x H x D): 115x136x15mm.
- ◆ Color: white, black.
- ◆ Opening size for installation: Rectangle opening 90x105mm.
- ◆ Quick connect shower head with 1.5m hose.
- ◆ Hot and cold water mixture, pluggable control lever, rotating to adjust the water temperature.
- ◆ 4 x ST4.2*25 countersunk head self tapping screws for front installation, screw aperture 4.5mm.

Sides spacing: 92mm (horizontal), 92mm (vertically), 130mm(diagonal line).





RV Built-in Power Outlet

KDAQ-10A

3C/CE certifications

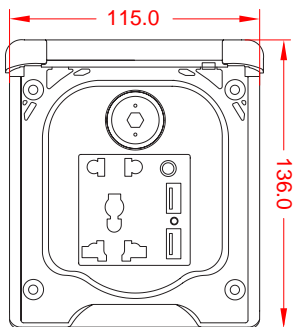
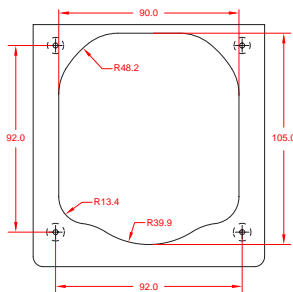


Standard:

- ◆ Housing
- ◆ Car cigarette lighter
- ◆ 5 holes with two usb output (on off control) and 1 holes for 12V DC output

Features:

- ◆ High performance engineering plastic housing, with good corrosion resistance.
 - ◆ Applicable to 110V~250V/10A 12V~24V/120W~250W.
 - ◆ Dimensions (W x H x D): 115x136x15mm.
 - ◆ Color: white, black.
 - ◆ Opening size for installation: Rectangle opening 90x105mm.
 - ◆ Protection class: IP44.
 - ◆ 4 x ST4.2*25 countersunk head self tapping screws for front installation, screw aperture 4.5mm.
- Sides spacing: 92mm (horizontal), 92mm (vertically), 130mm(diagonal line).





RV Built-in Power Outlet

KDAQ-10B

3C/CE certifications

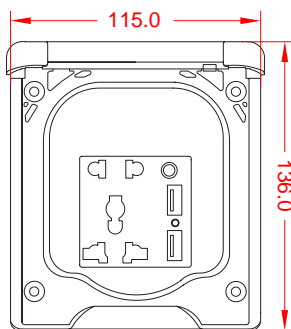
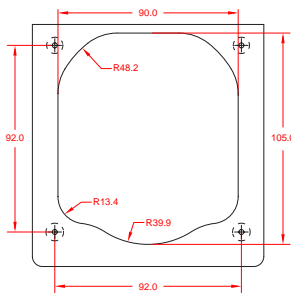
Standard:

- ◆ Housing
- ◆ 5 holes with two usb output (on off control)



Features:

- ◆ High performance engineering plastic housing, with good corrosion resistance.
 - ◆ Applicable to 110V~250V/10A.
 - ◆ Dimensions (W x H x D): 115x136x15mm.
 - ◆ Color: white, black.
 - ◆ Opening size for installation: Rectangle opening 90x105mm.
 - ◆ Protection class: IP44.
 - ◆ 4 x ST4.2*25 countersunk head self tapping screws for front installation, screw aperture 4.5mm.
- Sides spacing: 92mm (horizontal), 92mm (vertically), 130mm(diagonal line).





RV Gas Outlet

KDAR-Q01

3C/CE certifications

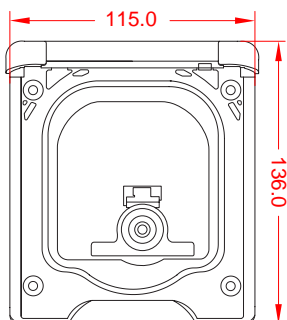
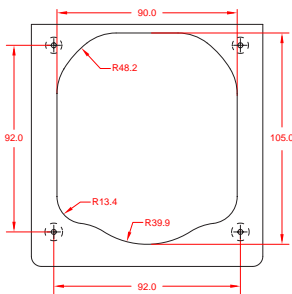
Standard:

- ◆ Housing
- ◆ Gas quick connector



Features:

- ◆ High performance engineering plastic housing, with good corrosion resistance.
 - ◆ Applicable to RV gas outlet.
 - ◆ Dimensions (W x H x D): 115x136x15mm.
 - ◆ Color: white, black.
 - ◆ Opening size for installation: Rectangle opening 90x105mm.
 - ◆ Protection class: IP44.
 - ◆ 4 x ST4.2*25 countersunk head self tapping screws for front installation, screw aperture 4.5mm.
- Sides spacing: 92mm (horizontal), 92mm (vertically), 130mm(diagonal line).





RV EV power charging socket

KDAX-M32A

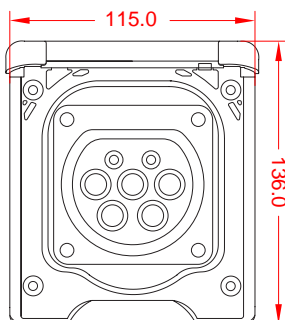
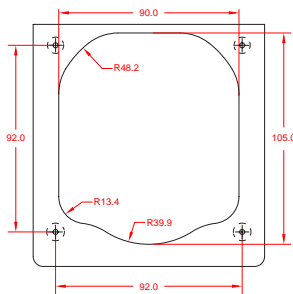
3C/CE certifications

Standard:

- ◆ Housing and charging connector

Features:

- ◆ High performance engineering plastic housing, with good corrosion resistance.
 - ◆ Applicable to 230V/32A.
 - ◆ Dimensions (W x H x D): 115x136x15mm.
 - ◆ Color: white, black.
 - ◆ Opening size for installation: Rectangle opening 90x105mm.
 - ◆ Protection class: IP44.
 - ◆ 4 x ST4.2*25 countersunk head self tapping screws for front installation, screw aperture 4.5mm.
- Sides spacing: 92mm (horizontal), 92mm (vertically), 130mm(diagonal line).





RV Built-in Power Outlet

KDAQ-16A

3C/CE certifications

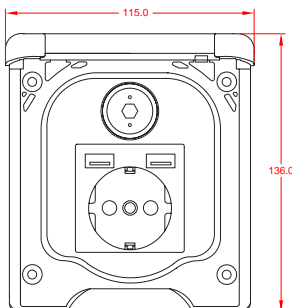
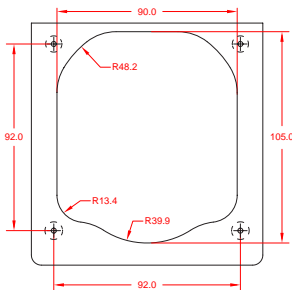


Standard:

- ◆ Housing
- ◆ Car cigarette lighter
- ◆ 2 holes with two usb output and 1 holes for 12V DC output

Features:

- ◆ High performance engineering plastic housing, with good corrosion resistance.
 - ◆ Applicable to 250V/16A, 5V/2100mA.
 - ◆ Dimensions (W x H x D): 115x136x15mm.
 - ◆ Color: white, black.
 - ◆ Opening size for installation: Rectangle opening 90x105mm.
 - ◆ Protection class: IP44.
 - ◆ 4 x ST4.2*25 countersunk head self tapping screws for front installation, screw aperture 4.5mm.
- Sides spacing: 92mm (horizontal), 92mm (vertically), 130mm(diagonal line).





RV Built-in Power Outlet

KDAQ-16B

3C/CE certifications

Standard:

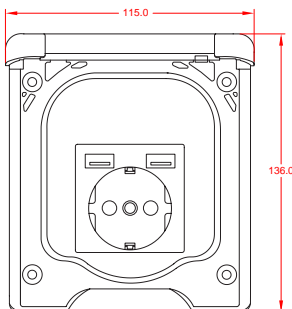
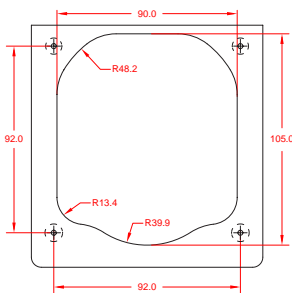
- ◆ Housing
- ◆ 2 holes with two usb output and 1 holes for 12V DC output



Features:

- ◆ High performance engineering plastic housing, with good corrosion resistance.
- ◆ Applicable to 250V/16A, 5V/2100mA.
- ◆ Dimensions (W x H x D): 115x136x15mm.
- ◆ Color: white, black.
- ◆ Opening size for installation: Rectangle opening 90x105mm.
- ◆ Protection class: IP44.
- ◆ 4 x ST4.2*25 countersunk head self tapping screws for front installation, screw aperture 4.5mm.

Sides spacing: 92mm (horizontal), 92mm (vertically), 130mm(diagonal line).





RV Built-in City Water Inlet

KDAS-Y01

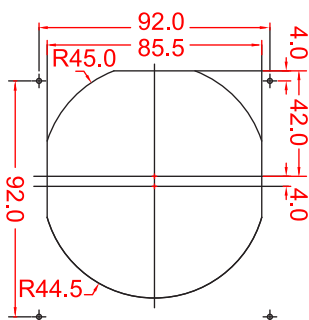
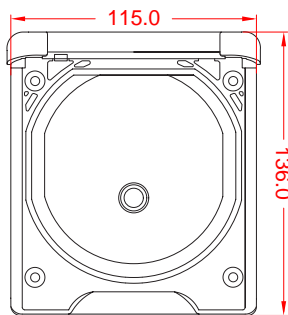
Food Grade

Standard:

- ◆ Housing and quick connector

Features:

- ◆ High performance engineering plastic housing, with good corrosion resistance and food grade.
 - ◆ Dimensions (W x H x D): 115x136x15mm.
 - ◆ Color: white, black.
 - ◆ Installation aperture: \varnothing 96mm.
 - ◆ 4 x ST4.2*25 countersunk head self tapping screws for front installation, screw aperture 4.5mm.
- Sides spacing: 92mm(horizontal), 92mm(vertically), 130mm(diagonal line).





RV Multi Purpose Inlet

KDAW-01

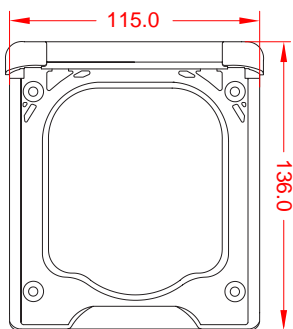
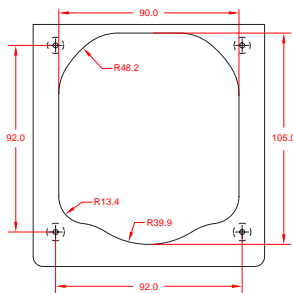
3C/CE certifications

Standard:

- ◆ Housing

Features:

- ◆ High performance engineering plastic housing, with good corrosion resistance.
 - ◆ Dimensions (W x H x D): 115x136x15mm.
 - ◆ Color: white, black.
 - ◆ Opening size for installation: Rectangle opening 90x105mm.
 - ◆ Protection class: IP44.
 - ◆ 4 x ST4.2*25 countersunk head self tapping screws for front installation, screw aperture 4.5mm.
- Sides spacing: 92mm (horizontal), 92mm (vertically), 130mm(diagonal line).





ARANA LIVING TECHNOLOGY (SHANDONG) CO., LTD.

RM 2306 Building #2, Silver Crystal Plaza, No. 66 East Shunhe Road
Jinan Shandong Province, China 250012
+86 531 8889 4655 · info@arana.com.cn · www.arana.com.cn

